

Snap Clamps **B7725**

TIPS ON INSTALLATION & USE:

1. For easier soil penetration, cut pipe at an angle.
2. If your soil is very loose, cut rebar into 2-foot lengths. Pound it into the ground about 12 inches. Slide the pipe hoop over the rebar and push the pipe into the ground several inches.
3. If you are in a windy area, space your pipe hoops closer together, and don't design your structure too tall. The taller the structure, the more problems you will have with wind.
4. If your clamps pop off in the wind, try using more clips, spaced closer together.
5. For ventilation, remove the clamps from the bottom of the end hoops and fold the cover back, using the clamps to hold the cover in place.
6. For easy access to your plants remove clamps from the lower edge and fold up the cover. This is also one reason why 36" is ideal for the width of the bed (see Fig. 2).
7. For easy closing the ends of your cover, fold the flap down over one end, making a small tuck at the bend of the hoop and secure the pleat with clamp.



- **Protect your plants from rain, frost, hot sun, insects and birds.**
- **Extend your growing season by covering fruit, ornamentals and vegetable crops.**
- **By drying out and warming up your soil, you can start gardening earlier!**
- **Using a greenhouse film will work as a tunnel cloche or cold frame and you will be able to extend your gardening season about 30 days or so on each end of a light frost.**

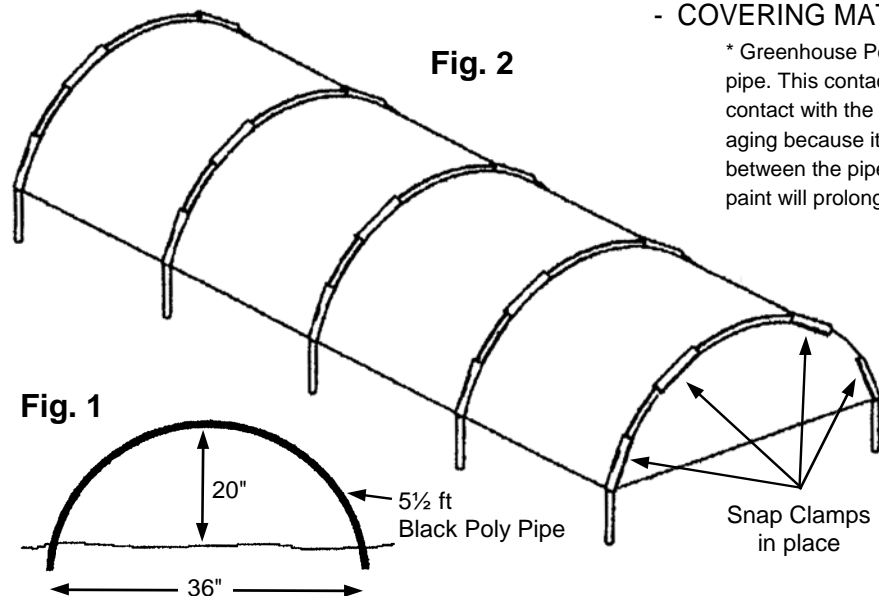
ASSEMBLY STEPS:

- Push ends of poly pipe hoops approx. 6 inches into soil. **(Fig 1)**
- Lay covering of choice over hoops. Attach snap clamps as needed. **(Fig 2)**

MATERIALS:

- BLACK POLYETHYLENE or PVC PIPE --
(pipe inside diameter choices:
1/2" (use with [B7725 0.5](#) Snap Clamps)
3/4" (use with [B7725 0.75](#) Snap Clamps)
1" (use with [B7725 1](#) Snap Clamps)
1-1/4" (use with [B7725 1.25](#) Snap Clamps)
- SNAP CLAMPS (at least 3 per hoop, more if windy area)
- COVERING MATERIAL (UV poly*, shade cloth, bird netting, etc.)

* Greenhouse Poly Film should not come into direct contact with PVC and metal pipe. This contact accelerates degradation of the Poly Film where the poly is in contact with the pipe. (PVC pipe causes a chemical reaction. Metal pipe causes aging because it gets hot and cold.) Both pipes should be insulated with a tape between the pipe and the poly film. Painting the PVC pipe with a light color latex paint will prolong the life of the pipe and the poly.



Charley's

GREENHOUSE & GARDEN

17979 State Route 536, Mount Vernon, WA 98273
(800) 322-4707
charleysgh.com