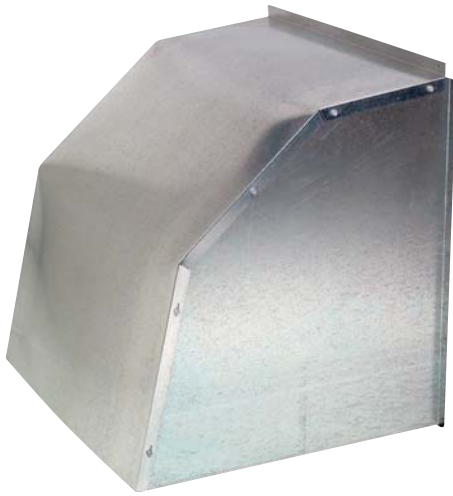
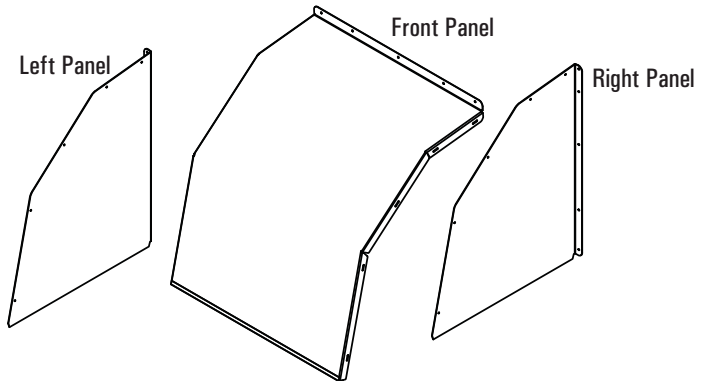


# J&D Manufacturing

## GALVANIZED WEATHER HOOD



## PARTS LEGEND



## WARRANTY

J&D Manufacturing warrants all products are free from defects in materials and workmanship under normal use for the period of one year from date of purchase. Our warranty does not cover normal or regular wear and tear. J&D Manufacturing can repair or replace at our option, any product or part of the product that is found to be defective. Our warranty applies to materials only, and does not include return freight, delivery, loss or damage to personal property, cost of removal or installation, any incidental or consequential damages or labor. This warranty does not apply to products which are misused, abused, altered, improperly installed or subject to negligence. All warranties must be approved through our warranty department. The original purchaser must present a copy of the invoice for the defective product. One year is our standard warranty unless specified on our literature or in the installation instructions or user manuals.

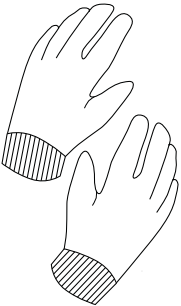
## INSTALLATION

Please read over all instructions carefully before you begin. If you have any questions please call your local dealer, or contact J&D Manufacturing at 1-800-998-2398.

To assemble, slightly bend the shape of the front panel to align with the top edges of the side panels. The tabs on the front panel should overlap the side panels on the outside as shown.

## RECOMMENDED TOOLS FOR ASSEMBLY (NOT PROVIDED)

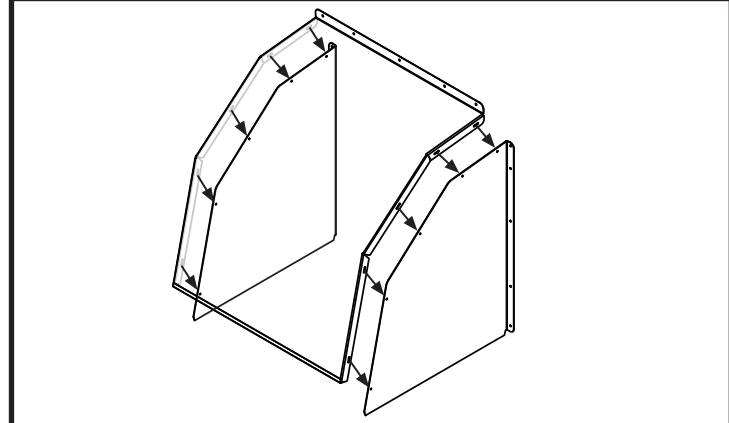
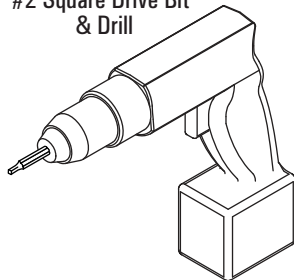
Protective Gloves



Safety Glasses

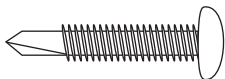


#2 Square Drive Bit & Drill

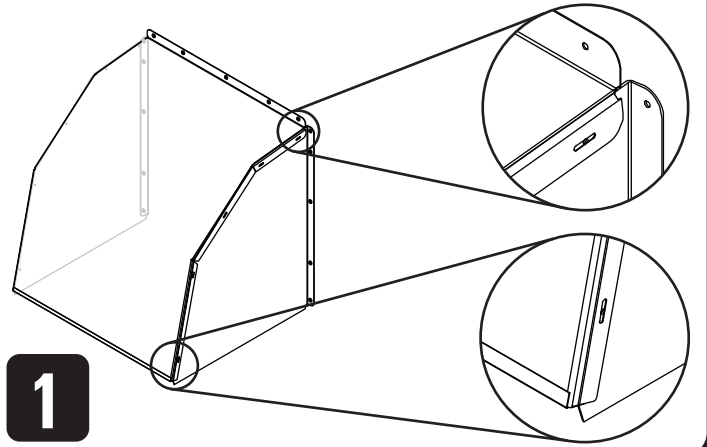


## INCLUDED ASSEMBLY HARDWARE - TO SCALE

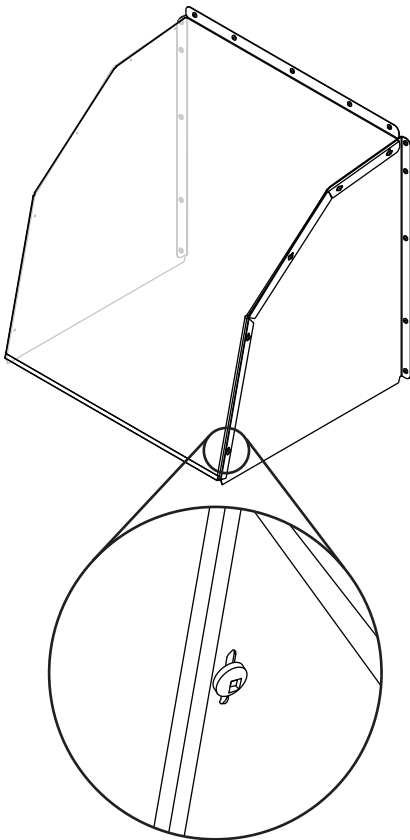
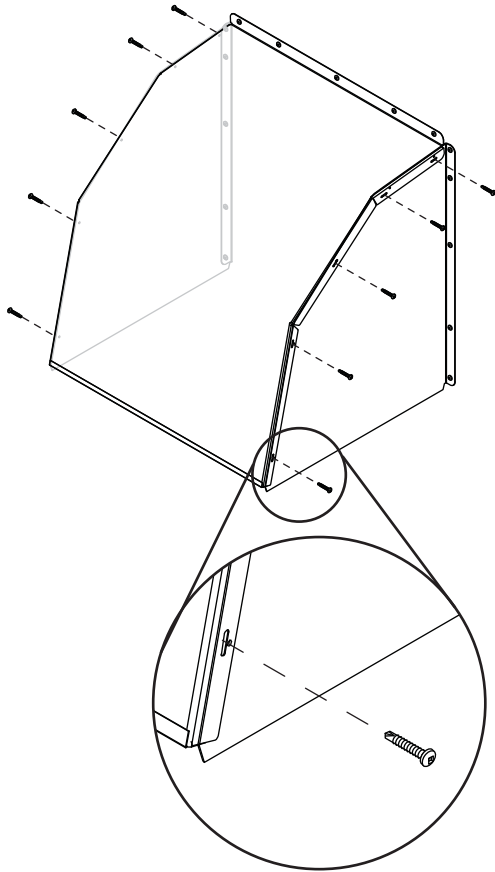
#10 x 1"  
Square Head Tek Screw



## INSTALLATION HARDWARE IS NOT PROVIDED



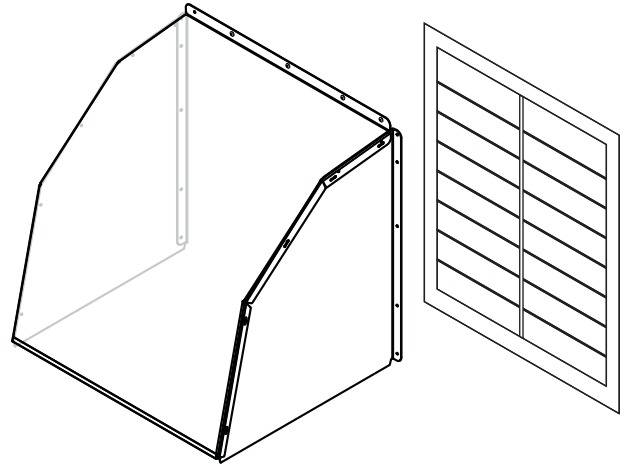
To secure assembled unit, join the edges and tabs together using the included #10 x 1" Square Head Tek Screws as shown below. (On sizes 12"-30" use 5 screws for each side, on 36" use 10 screws per side, and on 48"-50" use 11 screws per side.)



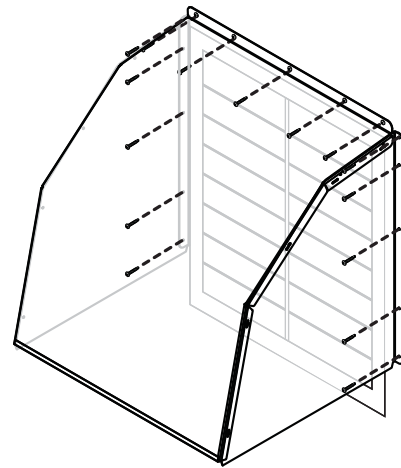
2

If mounting weather hood over a shutter or other inlet, ensure that hood placement will not block shutter movement.

Once weather hood is fully assembled, secure it to your structure with suitable fasteners using the pre-drilled holes in the flange on each weather hood panel section. (Observe the number of mounting holes in each flange panel to determine the amount of hardware needed.)



3



4

If the top flange of weather hood is not protected by eaves or siding, it is recommended to install flashing to prevent rain or ice from getting behind weather hood and accumulating on your shutter or fan.

**J&D**  
**Manufacturing**