

# OPERATING INSTRUCTIONS & PARTS MANUAL



## OSCILLATING FANS

12" (30,5 cm) MODEL 4DA35B/9102B

16" (40,6 cm) MODEL 4DA36B/9106B

It is not intended to be used in commercial, industrial or agricultural settings.



## **READ AND SAVE THESE INSTRUCTIONS**

**READ CAREFULLY BEFORE ATTEMPTING TO ASSEMBLE,  
INSTALL, OPERATE OR MAINTAIN THE PRODUCT DESCRIBED.  
PROTECT YOURSELF AND OTHERS BY OBSERVING ALL SAFETY  
INFORMATION. FAILURE TO COMPLY WITH INSTRUCTIONS COULD  
RESULT IN PERSONAL INJURY AND/OR PROPERTY DAMAGE!**



# ! WARNING



## IMPORTANT SAFETY INFORMATION

When using electrical appliances, basic precautions should always be followed to reduce the risk of fire, electrical shock and injury to persons, including the following:



Read all instructions before using this Fan.



### ! WARNING

**TO REDUCE THE RISK OF FIRE, ELECTRICAL SHOCK OR PERSONAL INJURY, ALWAYS FOLLOW THESE IMPORTANT SAFETY INSTRUCTIONS AND WARNINGS:**



**DO NOT** use this fan to ventilate areas where flammable liquids or vapors are used, stored or are present, including paints, gasoline, varnishes, floor refinishing products or solvents. **ALWAYS** read and follow all warnings and instructions on the containers for these products!



**ALWAYS** be sure the plug fits tightly into the outlet. When plugs fit loosely into outlets, they may slip partially out of the outlet and create a poor connection. This may cause outlets to overheat and create a potential fire hazard. Outlets in this condition should be replaced by a qualified electrician.



**ALWAYS** unplug the power cord when servicing, cleaning or moving the Fan. **DO NOT** use the ON/OFF switch as the sole means of disconnecting power. **NEVER** leave children unattended when the Fan is on or plugged in. **ALWAYS** turn off and unplug the Fan when not in use.



**BE CERTAIN** that the power source for the Fan is 120V AC. **DO NOT** plug the Fan into 240V or other power source.

The **Blue Plug™** on your AirKing fan is a safety feature. It contains a non-replaceable safety device (fuse) that should not be removed or tampered with. To reduce the risk of fire, electric shock and personal injury, **DO NOT** attempt to remove, replace, repair or tamper with the originally supplied plug. If the Fan has stopped functioning, it may be due to the safety device incorporated in this plug.



The power cord is equipped with a three-prong grounded plug that must be inserted into a matching receptacle. Under no circumstances should the grounding prong be cut off the plug. Where a two-prong wall receptacle is encountered, it must be replaced with a properly grounded three-prong receptacle installed in accordance with the National Electrical Code (NEC) and all applicable local codes and ordinances. This work must be done only by a qualified electrician, using copper wire only.

**DO NOT USE A THREE-PRONG TO TWO-PRONG ADAPTER. IMPROPER CONNECTION MAY CREATE THE RISK OF ELECTRICAL SHOCK. USE OF SUCH ADAPTERS IS NOT PERMITTED IN CANADA.**

### ! CAUTION

- **AVOID** the use of extension cords, power strips, power taps, outlet style air fresheners or other cord connected device, as these devices may overheat and cause a fire hazard.
- **DO NOT** route power cord under rugs, carpets, runners or furniture. This may damage the cord or cause it to overheat creating a fire hazard.
- **ALWAYS** place the Fan on a stable, flat, level surface while in operation to prevent the Fan from overturning.
- **NEVER** insert or allow fingers or objects to enter grill openings while Fan is in operation or injury and/or damage to the Fan may occur.
- **DO NOT** block, cover or obstruct air flow to or from the fan while in operation.
- **DO NOT** use this Fan outdoors or near water or wet locations such as a bath tub, pool or hot tub. Use of this Fan in a wet location may create a shock hazard.
- **DO NOT** run cord under carpeting. Do not cover cord with throw rugs, runners, or similar coverings. Do not route cord under furniture or appliances. Arrange cord away from traffic area and where it will not be tripped over.
- **NEVER** use a single extension cord to operate more than one Fan or other electrical device.
- **DO NOT** use this Fan if it has been damaged or is not functioning properly.
- **THIS FAN DOES NOT MEET THE REQUIREMENTS OF NEC ARTICLE 547-7 (2008).** This Fan is not suitable for use in agricultural facilities including areas where livestock, poultry or other animals are confined. Please refer to National Electric Code (NEC) Article 547-7 (2008), or applicable state or local codes or standards relating to electrical requirements for agricultural buildings.
- **THIS FAN DOES NOT MEET THE REQUIREMENTS OF NEC ARTICLE 500 (2008).** This Fan is not suitable for use in hazardous locations. Please refer to National Electric Code (NEC) Article 500 or applicable state or local codes or standards relating to electrical requirements for hazardous locations.

# SAVE THESE INSTRUCTIONS

# MODEL 4DA35B/9102B 4DA36B/9106B

## DESCRIPTION


The Air King® 12" (30,5 cm) and 16" (40,6 cm) Oscillating Fans feature whisper quiet operation with a 3 paddle blade. Fan is powered by a pre-lubricated permanent split capacitor motor with a 6 ft. (1.8 m) 18/3 cord set. Fan grills meet OSHA requirements. ETL listed.

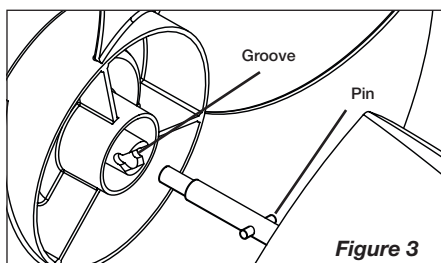
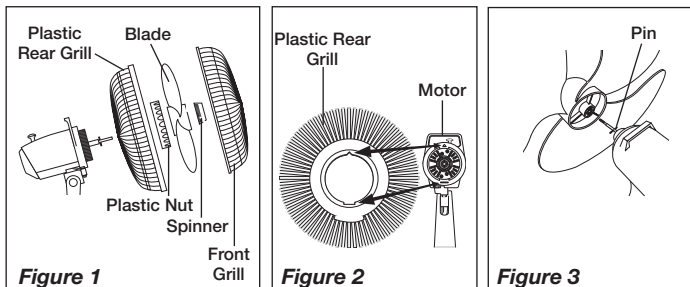
## SPECIFICATIONS

Motor.....	120V, 60Hz (12")(30,5 cm)
	120V, 60Hz (16")(40,6 cm)
Blade Size.....	12" (30,5 cm) Model(4DA35B/9102B)
	16" (40,6 cm) Model(4DA36B/9106B)
Speeds.....	3 Speeds
Control .....	Rotary Knob
Air Flow Distribution.....	90°

MODEL	4DA35B/9102B			4DA36B/9106B		
	SPEED	HIGH	MED	LOW	HIGH	MED
CFM	930	780	620	1710	1500	1330
M <sup>3</sup> /s	0.43	0.37	0.29	0.80	0.71	0.63
RPM	1450	1300	1090	1545	1394	1244
Amps	0.40	0.30	0.27	0.71	0.54	0.48
Watts	39	35	32	77	65	57
dB (A)	45	41	36	53	49	44

## ASSEMBLY

1. Tilt Fan Head back. Put Plastic Rear Grill on Motor. (Figure 1)
2. Align Triangular "Δ" cut in Plastic Rear Grill with triangular post on top of front Motor cover. Fully seat Plastic Rear Grill and secure with Plastic Nut turning Clockwise. (Figure 2)
3. Slide Blade onto Motor Shaft. (Align groove on blade hub with pin on motor shaft.) (Figure 3)
4. To secure Blade, screw Spinner onto Shaft Counter  until tight on blade hub.
5. With fan head in upright position, align Ornament of Front Grill so it is horizontal. Insert bottom of Front Grill into Plastic Rear Grill. Tab at the bottom of Plastic Rear Grill should fit between spokes of Front Grill. Snap Front Grill into Plastic Rear Grill beginning at the top and working down both sides.



## OPERATION

**VARIABLE OSCILLATION:** Pull oscillation knob on the rear of the motor up. Turn fan head to left, right, or straight ahead. Push oscillation knob down and fan will oscillate about the set angle.

**VERTICAL ANGLE:** To adjust vertical angle, tilt fan head up or down, as desired.

**SPEED:** Speed is controlled by a rotary knob. (0) Off, (3) High, (2) Medium, (1) Low.

**POWER SUPPLY CORD:** Plug power supply cord into a wall outlet (AC 120Volts, 60 Hz).

## MAINTENANCE

**WARNING: ALWAYS UNPLUG THE CORD BEFORE MOVING OR SERVICING THE FAN.**

**WARNING: DO NOT IMMERSE FAN IN WATER!**

**CLEANING:** Use a soft cloth moistened with a mild soap solution, such as liquid dish washing detergent. Dry ALL PARTS COMPLETELY before reassembling. After any maintenance or servicing, completely reassemble unit as described in this instruction manual before reconnecting to the power supply.

**CAUTION: Do not use gasoline, benzene, thinner, harsh cleaners, etc. as they will damage the Fan. NEVER use ALCOHOL OR SOLVENTS.**

**LUBRICATION:** Precision bearings are sealed at the factory for life and will not require any further lubrication.

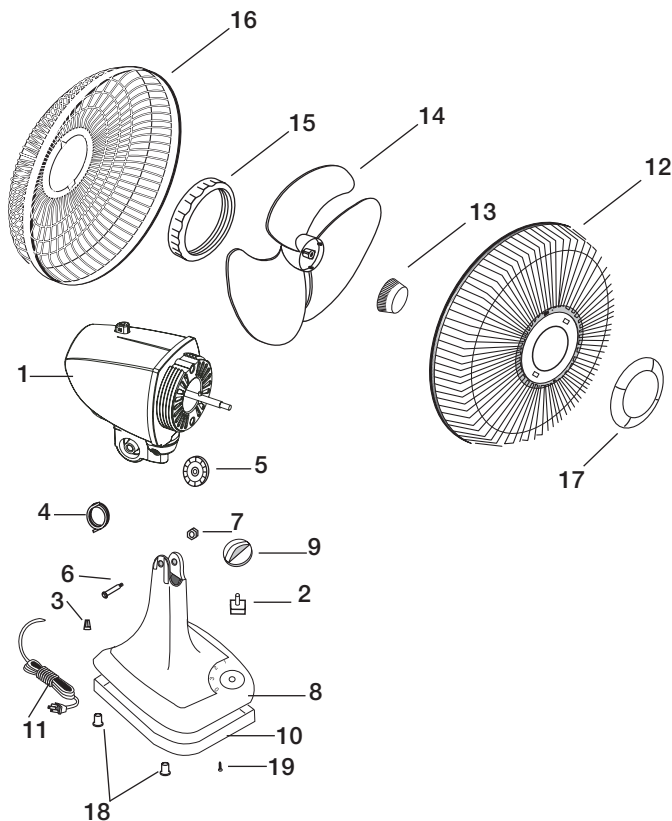
**STORAGE:** Store the Fan, with these instructions, in a cool, dry place.

**SERVICING:** All other servicing, with the exception of general user-maintenance, should be performed by an authorized service representative.

# MODEL 4DA35B/9102B 4DA36B/9106B

## REPLACEMENT PART LIST

REF NO.	DESCRIPTION	PART NO. FOR MODEL		Qty
		4DA35B/9102B	4DA36B/9106B	
1	Motor	02035053	02035052	1
2	Rotary Switch	2055087	2055087	1
3	Crimp Connect	7091854	7091854	1
4	Elevation Spring	-	02090586	1
5	Ratchet Plate	02010162B	02010162B	1
6	Neck Bolt	02090521	02090521	1
7	5/16-24 Hex Nut	02090033	02090033	1
8	Stand	2010540P	2010541	1
9	Switch Knob	2010131	2010131	1
10	Bottom Plate	2010313	2010315	1
11	Power Supply Cord w/Plug	02050108A	02050108A	1
12	Front Grill	02096217	020962141	1
13	Spinner	2010093	2010093	1
14	Fan Blade	2010008	2011013	1
15	Plastic Nut	2010361P	2010361P	1
16	Plastic Rear Grill	2011212	2011200M	1
17	Grill Ornament	02010381A	02010381A	1
18	Rubber Foot	2010415	2010415	2
19	Screw #8 X 3/8 PPH	2090039	2090039	1



## MAINTENANCE

### ⚠ WARNING



**WARNING: ALWAYS UNPLUG THE CORD BEFORE MOVING OR SERVICING THE FAN.  
WARNING: DO NOT IMMERSE FAN IN WATER!**

**CLEANING:** Use a soft cloth moistened with a mild soap solution, such as liquid dish washing detergent. Dry ALL PARTS COMPLETELY before reassembling. After any maintenance or servicing, COMPLETELY REASSEMBLE unit as described in this instruction manual before reconnecting to the power supply.

**CAUTION:** Do not use gasoline, benzine, thinner, harsh cleaners, etc. as they will damage the Fan. NEVER use ALCOHOL OR SOLVENTS.

**LUBRICATION:** Precision bearings are sealed at the factory for life and will not require any further lubrication.

**STORAGE:** Store the Fan, with these instructions, in a cool, dry place.

**DISPOSITION:** Corrugated packaging materials are recyclable. For environmentally responsible disposal of this product, contact your local waste service provider or visit [www.1800recycling.com](http://www.1800recycling.com).

## LIMITED WARRANTY

**Air King America, LLC LIMITED WARRANTY  
(VALID IN THE USA, ITS TERRITORIES, AND CANADA ONLY)**

**WHAT THIS WARRANTY COVERS:** This product is warranted against defects in workmanship and/or materials.

**HOW LONG THIS WARRANTY LASTS:** This warranty extends only to the original purchaser of the product and lasts for one (1) year from the date of original purchase or until the original purchaser of the product sells or transfers the product, whichever first occurs.

**WHAT Air King WILL DO:** Air King will, at its sole option, repair or replace any part or parts that prove to be defective or replace the whole product with the same or comparable model. For all warranty claims, the product must be returned to Air King America, LLC at customer expense with proof of purchase within the warranty period. Contact the Air King customer service department to obtain a Return Authorization ("RA"). DO NOT return products without an RA or the warranty claim will not be processed.

**WHAT THIS WARRANTY DOES NOT COVER:** This warranty does not apply if the product was damaged or failed because of accident, improper handling or operation, shipping damage, abuse, misuse, unauthorized repairs made or attempted. This warranty does not cover shipping costs for the return of products to Air King for repair or replacement. Air King will pay return shipping charges from Air King following warranty repairs or replacement.

**ANY AND ALL WARRANTIES, EXPRESSED OR IMPLIED (INCLUDING, WITHOUT LIMITATION, ANY IMPLIED WARRANTY OF MERCHANTABILITY), LAST ONE YEAR FROM THE DATE OF ORIGINAL PURCHASE OR UNTIL THE ORIGINAL PURCHASER OF THE PRODUCT SELLS OR TRANSFERS THE PRODUCT, WHICHEVER FIRST OCCURS AND IN NO EVENT SHALL Air King'S LIABILITY UNDER ANY EXPRESS OR IMPLIED WARRANTY INCLUDE (I) INCIDENTAL OR CONSEQUENTIAL DAMAGES FROM ANY CAUSE WHATSOEVER, OR (II) REPLACEMENT OR REPAIR OF ANY HOUSE FUSES, CIRCUIT BREAKERS OR RECEPTACLES. NOTWITHSTANDING ANYTHING TO THE CONTRARY, IN NO EVENT SHALL Air King'S LIABILITY UNDER ANY EXPRESS OR IMPLIED WARRANTY EXCEED THE PURCHASE PRICE OF THE PRODUCT AND ANY SUCH LIABILITY SHALL TERMINATE UPON THE EXPIRATION OF THE WARRANTY PERIOD.**

Some states and provinces do not allow limitations on how long an implied warranty lasts, or the exclusion or limitation of incidental or consequential damages, so these exclusions or limitations may not apply to you. This warranty gives you specific legal rights. You may also have other rights which vary from state to state and province to province.

Proof of purchase is required before a warranty claim will be accepted.