

## Model PH4AB Portable Unit Heater

### Installation, Operation & Maintenance Instructions

## IMPORTANT INSTRUCTIONS



### WARNING



#### WARNING – TO REDUCE THE RISK OF FIRE

When using electrical appliances, basic precautions should always be followed to reduce the risk of fire, electric shock, and injury to persons, including the following:

1. Read all instructions before using this heater.
2. Extreme caution is necessary when any heater is used by or near children or invalids and whenever the heater is left operating and unattended.
3. Do not use outdoors.
4. This heater is not intended for use in bathrooms, laundry areas and similar indoor locations. Never locate heater where it may fall into a bathtub or other water container.
5. Ground fault circuit protection is required if heater is used in damp areas such as basements or garages. This is not suitable for use in wet or very humid locations.
6. To disconnect heater, turn controls off, then remove plug from outlet. Always unplug heater when not in use.
7. Connect to properly grounded outlets only.
8. Do not insert or allow foreign objects to enter any ventilation or exhaust opening as this may cause an electric shock or fire, or damage the heater.
9. Use this heater only as described in this manual. Any other use not recommended by the manufacturer may cause fire, electric shock, or injury to persons.
10. Check heater voltage and amperage on back of heater to make sure it agrees with the electric service supplied.
11. Do not operate heater without stand.
12. When heater is to be wall or ceiling mounted, the anchoring provisions must be of sufficient strength to support the total weight of the heater plus the weight of the mounting provisions. Failure to properly secure the supporting members of the building structure could allow the heater to fall.
13. This heater is hot when in use. To avoid burns, do not let bare skin touch hot surfaces. Use handles when moving this heater. Keep combustible materials, such as furniture, pillows, bedding, papers, clothes, and curtains at least 3 feet (0.9 m) from the front of the heater and keep away from the sides and rear.
14. A heater has hot and arcing or sparking parts inside. Do not use it in areas where gasoline, paint, or flammable liquids are used or stored.
15. Do not operate any heater with a damaged cord or plug or after the heater malfunctions, has been dropped or damaged in any manner. Discard heater, or return to authorized service facility for examination and/or repair.
16. Do not run cord under carpeting. Do not cover cord with throw rugs, runners, or similar coverings. Do not route cord under furniture or appliances. Arrange cord away from traffic area and where it will not be tripped over.
17. To prevent a possible fire, do not block air intakes or exhaust in any manner. Do not use on soft surfaces, like a bed, where openings may become blocked.
18. Always plug heaters directly into a wall outlet/receptacle. Never use with an extension cord or re-locatable power tap (outlet/power strip).
19. Check heater cord and plug connections. Faulty wall outlet connections or loose plugs can cause the outlet or plug to overheat. Be sure the plug fits tight in the outlet. Heaters draw more current than small appliances, therefore overheating of the outlet may occur even if it has not occurred with the use of other appliances. If plug outlet or faceplate is HOT, discontinue use and have qualified electrician check/replace the faulty outlet.

**SAVE THESE INSTRUCTIONS**

## MOUNTING INSTRUCTIONS

### General

1. In workshops, locate heater away from sources of wood dust.
2. When heater is mounted on the wall or ceiling, provisions must be made to bundle or otherwise prevent excess power cord from draping loose.

### Floor Application

The heater, as received, is set up for floor mounting. Place the heater on floor or other flat surface and insert the plug into the proper wall outlet.

The heater can be adjusted to redirect the airstream. To do this, simply loosen the knob on either side of the heater, then pivot heater to desired position and re-tighten both knobs.

### Wall Mount

#### SEE WARNING NO. 12.

This heater may be mounted on any wall that will support the weight of the heater. First remove the mounting stand from the heater, then remove four rubber grommets from stand. Secure stand to structural members of wall with four 1/4" dia. X 1-1/2" long lag bolts (not provided). In masonry walls use metal expansion shields or toggle bolts. Never use bolts smaller 1/4" diameter.

Replace the heater in the stand and tighten knobs to lock in place. Two large rubber washers go between heater and stand, one on either side.

**REMEMBER:** The electrical outlet must be within reach of the six foot cord. Be sure to provide enough clearance to pivot heater and reach adjustment knobs.

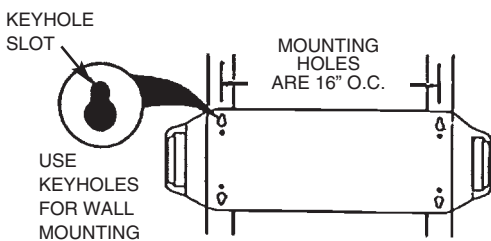


Figure 1

### Ceiling Mount

This heater may be mounted to any ceiling that will support the weight of the heater.

### ⚠ WARNING ⚠

TO PREVENT HEATER FROM POSSIBLY FALLING, DO NOT USE KEYHOLE SLOTS FOR CEILING MOUNT APPLICATION. SEE ALSO WARNING NO. 13.

First remove the mounting stand from the heater, then remove four rubber grommets from stand. Secure stand to structural members of ceiling with four 1/4" diameter bolts (not provided). In wood joist use 1-1/2" long lag bolts. In steel beams use machine bolts secured with nuts and lockwashers. Never use bolts smaller than 1/4" diameter.

Replace the heater in the stand and tighten knobs to lock in place. Two large rubber washers go between heater and stand, one on either side.

**REMEMBER:** The electrical outlet must be within reach of the six foot cord. Be sure to provide enough clearance to pivot heater and reach adjustment knobs.

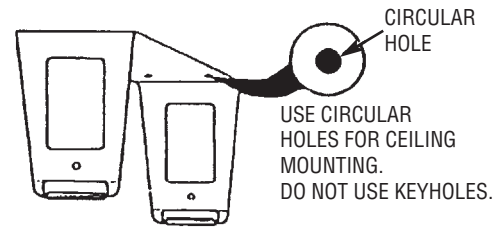


Figure 2

## OPERATING INSTRUCTIONS:

1. To operate the heater, first select either high or low position on the heat selector switch, then turn the thermostat knob as far as it will go in the clockwise direction.
2. The indicator light will come on and remain on as long as the heater is in the operating mode.
3. When the room temperature reaches the desired level, slowly turn the thermostat knob counterclockwise until the thermostat clicks.
4. To turn the heater off, turn thermostat knob as far as it will go in the counterclockwise direction until the indicator light is off.
5. The fan selector switch allows continuous or cycling fan operation by selecting either the "ON" or "Auto" position, respectively.

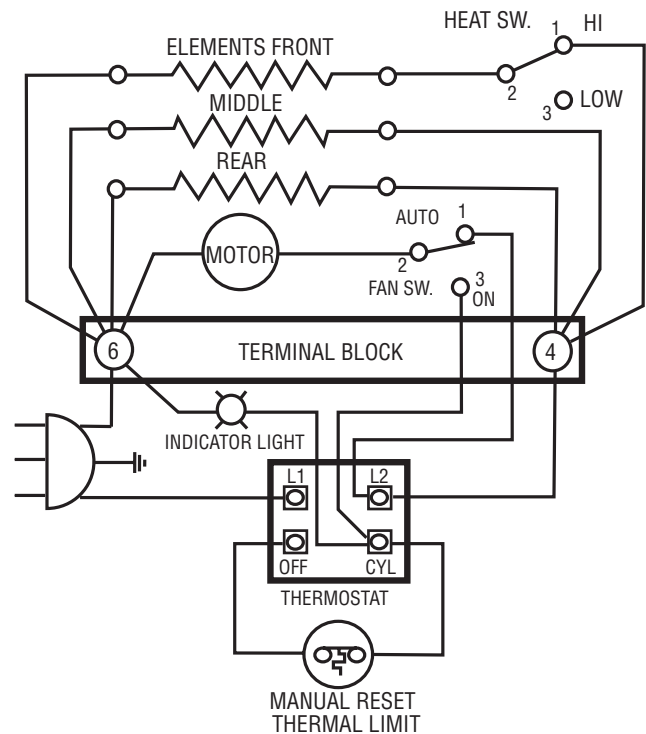


Figure 3

**Note:** For summer cooling, put the unit into its Operating Mode by turning the thermostat clockwise from its OFF position to its lowest setting. The indicator light will come ON. Turn the fan selector switch to ON position. The fan will run continuously with not heat. If the thermostat is adjusted to demand for heat the fan will run continuously after this demand is satisfied and the elements are turned OFF. In the AUTO position of the fan selector switch, the fan will come ON and OFF with the heating elements.

## MAINTENANCE INSTRUCTIONS

1. This heater does not require any routine maintenance other than occasional cleaning to prevent clogging of intake grille opening.
2. The motor is permanently lubricated.
3. Before cleaning heater, turn thermostat off and remove plug from electrical outlet.
4. Use a soft cloth for dusting. If heater is used in a very dusty location, use a vacuum cleaner dust brush or compressed air to remove dust and other foreign material from the grilles.
5. For cleaning use only a damp rag and nonabrasive dish detergent. Do not use abrasive or chemical cleaners as these may harm the finish.
6. Always unplug cord and wrap around heater when not in use. Move floor mounted heaters to a safe location for storage.

### To Reset Safety Thermal Limit Control

Your heater is equipped with a manual reset safety thermal limit control that will automatically turn the heater off to prevent a fire if the heater overheats. This control is located on front of the heater just above the thermostat and is marked "PUSH TO RESET". To reset, allow the heater to cool then simply push the red button in until it snaps. The heater should immediately return to normal operation.

### CAUTION

OPERATION OF THE SAFETY THERMAL LIMIT CONTROL INDICATES THE HEATER HAS BEEN SUBJECTED TO SOME ABNORMAL CONDITION. IT IS RECOMMENDED THAT THE HEATER BE CHECKED BY A REPUTABLE ELECTRICIAN OR REPAIR SERVICE TO INSURE THE HEATER HAS NOT BEEN DAMAGED.

This heater is for use on 240 or 208 volts. The cord has a plug as shown in Figure 4. No adapter is available for this blade configuration, and none should be used. The type outlet is a 240 (or 208) volt grounding outlet. When properly installed, it provides a ground connection through the cord to the heater to protect the operator from electric shock.

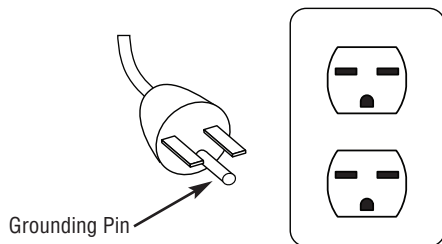
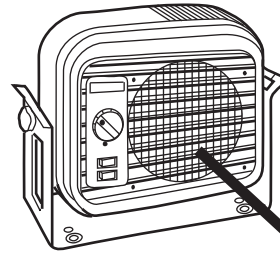


Figure 4



### NAMEPLATE

MODEL NO. **PH4AB**  
PORTABLE HEATER

DATE CODE **0207**

VOLTS AC	WATTS		AMPS	
	HI	LO	HI	LO
240	4000	2660	16.7	11.1
220	3360	2240	15.3	10.2
208	3000	2000	14.4	9.6



CAUTION: UNPLUG BEFORE SERVICING.  
CAUTION: DO NOT OPERATE WITHOUT STAND.

ATTENTION: NE FAITES PAS FONCTIONNER  
ATTENTION: LE RADIATEUR SANS SOCLE.

MARLEY ENGINEERED PRODUCTS  
BENNETTSVILLE, SC 29512

4104-2099-002