



(800) 322-4707

[Charley's Home Page](#)

[Charley's Greenhouses](#)

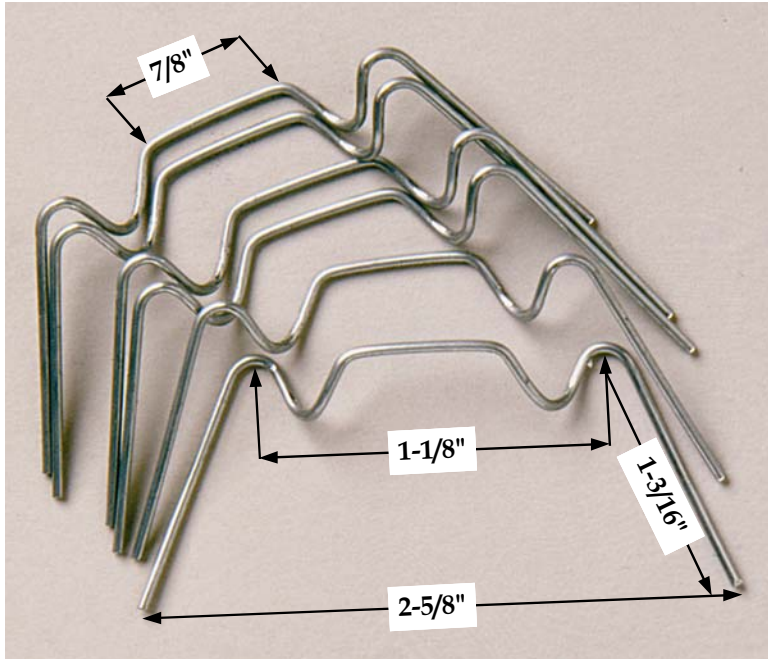
[Greenhouse Supplies](#)

[Charley's Replacement Polycarbonate](#)

[Greenhouse Building Supplies](#)

[See All English Glazing Hardware](#)

K7451 Spring Glazing Clips

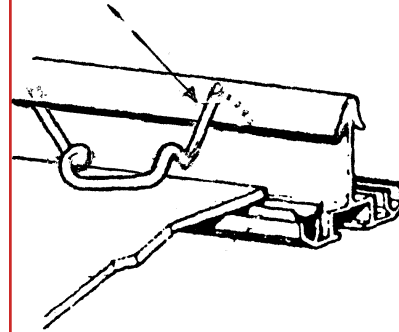


Fit Most English Garden Greenhouses

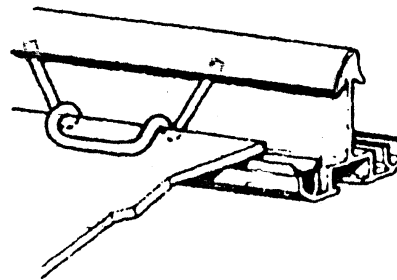
Stainless steel wire clips used to clamp glazing material up to 1/4" thick into greenhouse frame. Can be bent to adjust tension. For "English" style greenhouses: Vitavia, Eden, Elite, Europa Manor, Halls, Cambridge, Regent, Sovereign, Juliana, Tresco, Victoria and others. 20 per pak.

Note: Will not work with Harbor Freight greenhouses.

INSTALLING SPRING GLAZING CLIPS



BE SURE TO WEAR SAFETY GLASSES.



NOTE:
Pressing on the clip is hard on fingers. You may want to use a tool; e.g., needle-nose pliers or flat screwdriver.

1. Hook the upper end of the clip under the lip of the glazing bar.
2. Press down on the lower end of the clip until it snaps under the lip of the glazing bar.