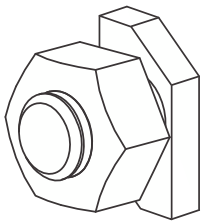
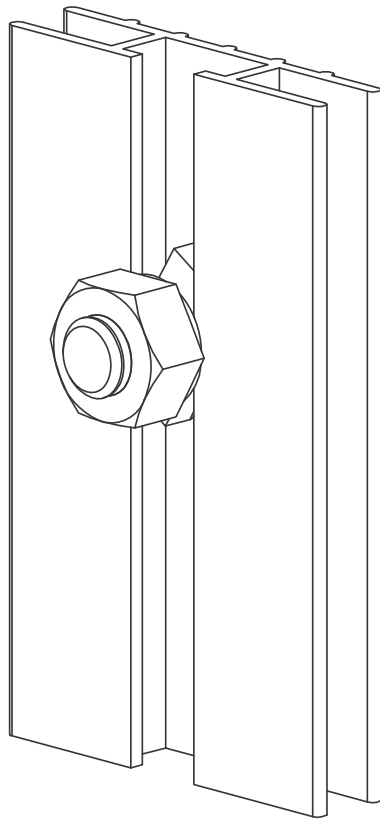


# About the T-head bolts.

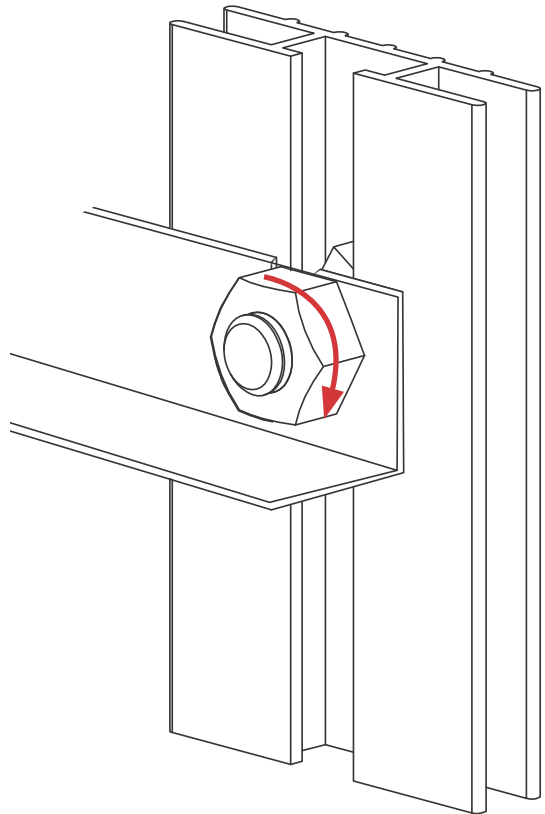
We have developed the T-head bolt as our standard fastener for our range of Greenhouses as it allows you to construct the Greenhouse in a relatively quick and simple manner, without any specialised tools. When using the T-head bolts start by winding the nut a couple of turns onto the T-head bolt, then insert the head of the T-head bolt into the aluminium channel. Place the appropriate brackets, braces or parts into position and tighten the nut to secure. As you tighten the nut the head will rotate clockwise in the channel and secure itself against the inner wall of the aluminium extrusion. It is important not to over-tighten these bolts as they are seated in the aluminium channel, and can pull-through causing damage.



Pre wind nut onto  
T-head bolt a couple  
of turns



Insert bolt into  
channel



Assemble parts into position,  
then tighten nut.